

Link zum Produkt: <https://erbetec.de/rollenkette-1-14-20b-2-typ-b-p-7541.html>

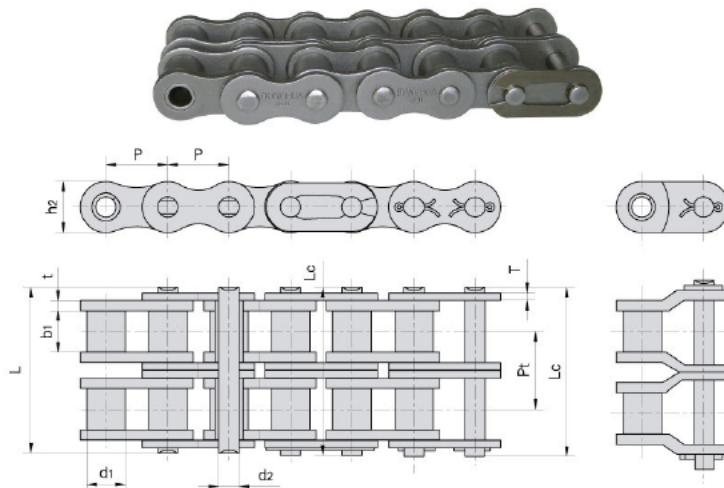


## Rollenkette 1 1/4" 20B-2 Typ B

Bruttopreis	<b>76.10 Euro</b>
Nettopreis	<b>61.87 Euro</b>
Lieferzeit	<b>Sofort</b>
Katalognummer	<b>L20B-2</b>
Code des Herstellers	<b>L20B-2</b>
Hersteller	<b>DONGHUA</b>

### Produktbeschreibung

Rollen-Kette 1 1/4" 20B-2 Typ B



DIN/ISO Chain No.	Pitch	Roller diameter	Width between inner plates	Pin diameter	Pin length	Inner plate depth	Plate thickness	Transverse pitch	Ultimate tensile strength	Average tensile strength	Weight per meter
DIN/ISO Ketten Nr.	Teilung	Rollen-durchmesser	Innere Breite	Bolzen-durchmesser	Bolzen-länge	Innen-laschen-höhe	Laschen-dicke	Mitten-abstand	Min. Bruchkraft	Durchschn. Bruchkraft	Gewicht
	P	d1 max	b1 min	d2 max	L max	Lc max	h2 max	t/T max	Q min	Q0	q
	mm	mm	mm	mm	mm	mm	mm	mm	kN/LB	kN	kg/m
05B-2	8.000	5.00	3.00	2.31	13.9	14.5	7.10	0.80	5.64	7.8/1773	0.33
*06B-2	9.525	6.35	5.72	3.28	23.4	24.4	8.20	1.30	10.24	16.9/3841	0.77
08B-2	12.700	8.51	7.75	4.45	31.0	32.2	11.80	1.60	13.92	32.0/7273	1.34
10B-2	15.875	10.16	9.65	5.08	36.1	37.5	14.70	1.70	16.59	44.5/10114	1.84
12B-2	19.050	12.07	11.68	5.72	42.0	43.6	16.00	1.85	19.46	57.8/13136	2.31
16B-2	25.400	15.88	17.02	8.28	68.0	69.3	21.00	4.15/3.1	31.88	106.0/24091	5.42
20B-2	31.750	19.05	19.56	10.19	77.8	81.5	26.40	4.5/3.5	36.45	170.0/38636	7.20
24B-2	38.100	25.40	25.40	14.63	101.7	106.2	33.20	6.0/4.8	48.36	280.0/63636	13.40
28B-2	44.450	27.94	30.99	15.90	124.6	129.1	36.70	7.5/6.0	59.56	360.0/81818	16.60
32B-2	50.800	29.21	30.99	17.81	124.6	129.6	42.00	7.0/6.0	58.55	450.0/102273	21.00
40B-2	63.500	39.37	38.10	22.89	154.5	161.5	52.96	8.5/8.0	72.29	630.0/143182	32.00
48B-2	76.200	48.26	45.72	29.24	190.4	198.2	63.80	12.0/10.0	91.21	1000.0/227272	50.00
56B-2	88.900	53.98	53.34	34.32	221.2	229.6	77.80	13.5/12.0	106.60	1600.0/363636	71.48
64B-2	101.600	63.50	60.96	39.40	249.9	258.4	90.17	15.0/13.0	119.89	2000.0/454544	91.00
72B-2	114.300	72.39	68.58	44.48	283.7	292.7	103.60	17.0/15.0	136.27	2500.0/568180	120.40